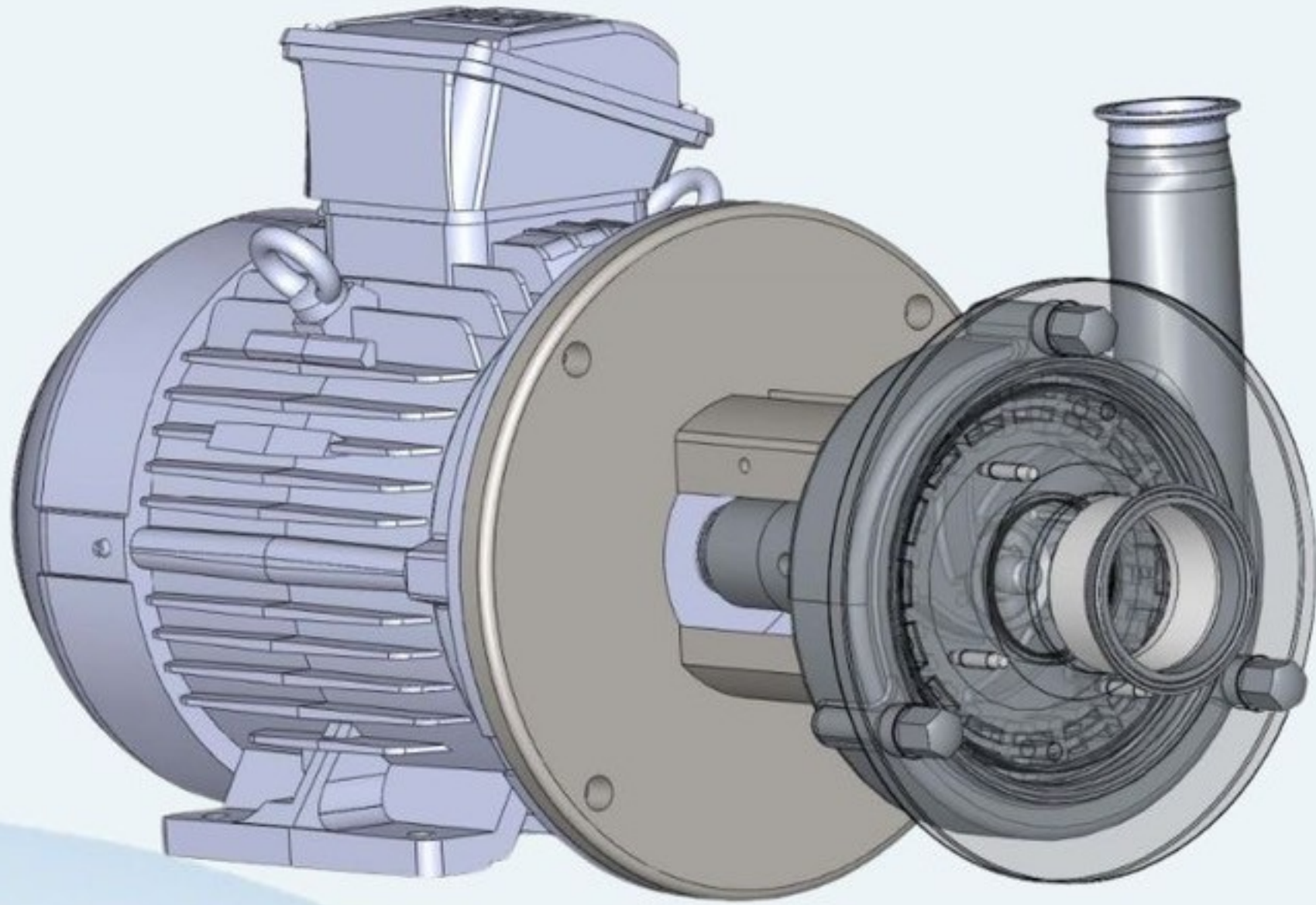
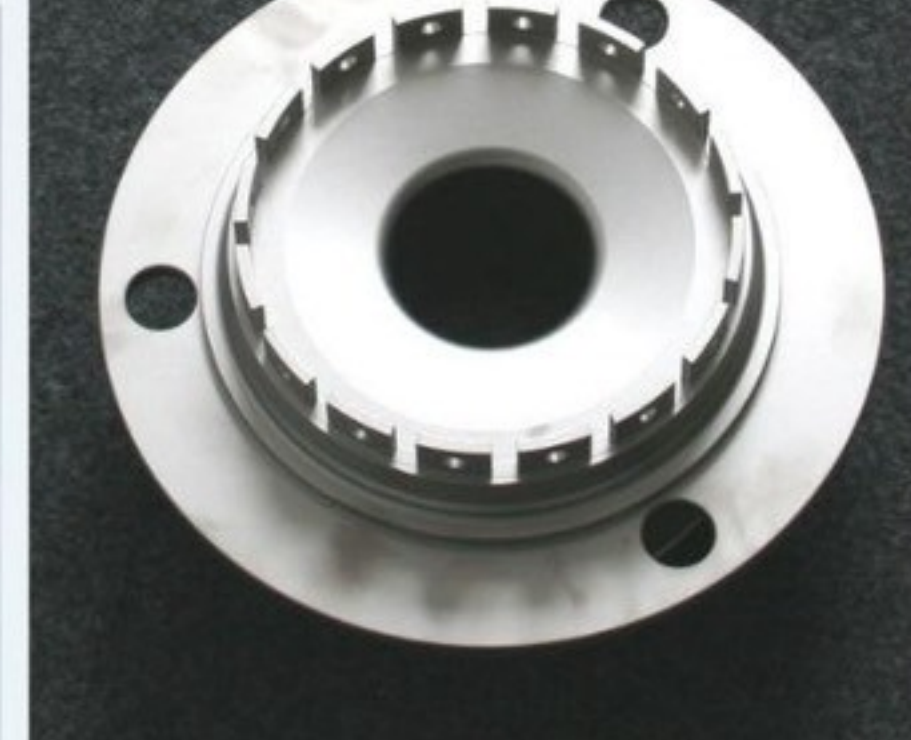


Shear pump- SP series



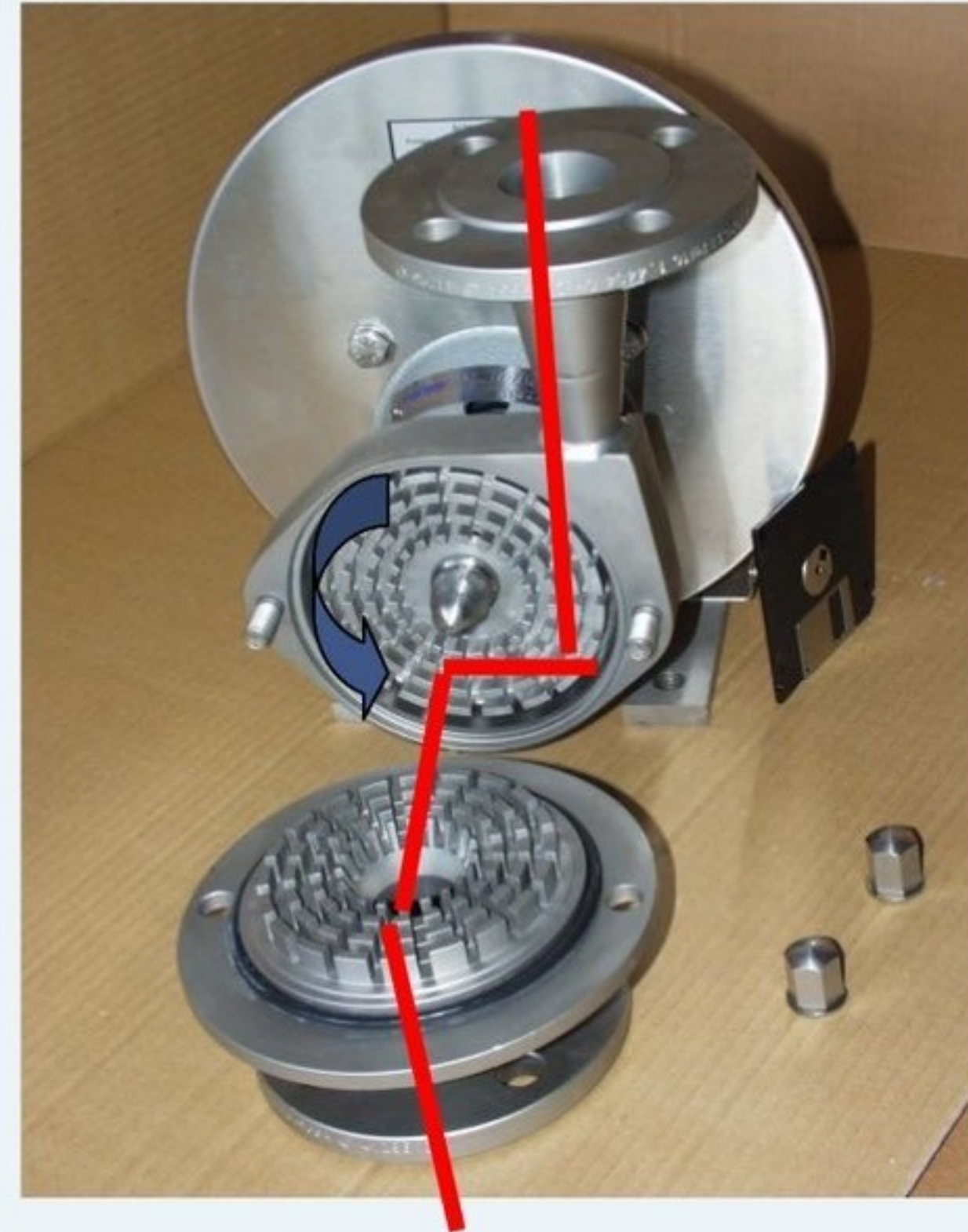
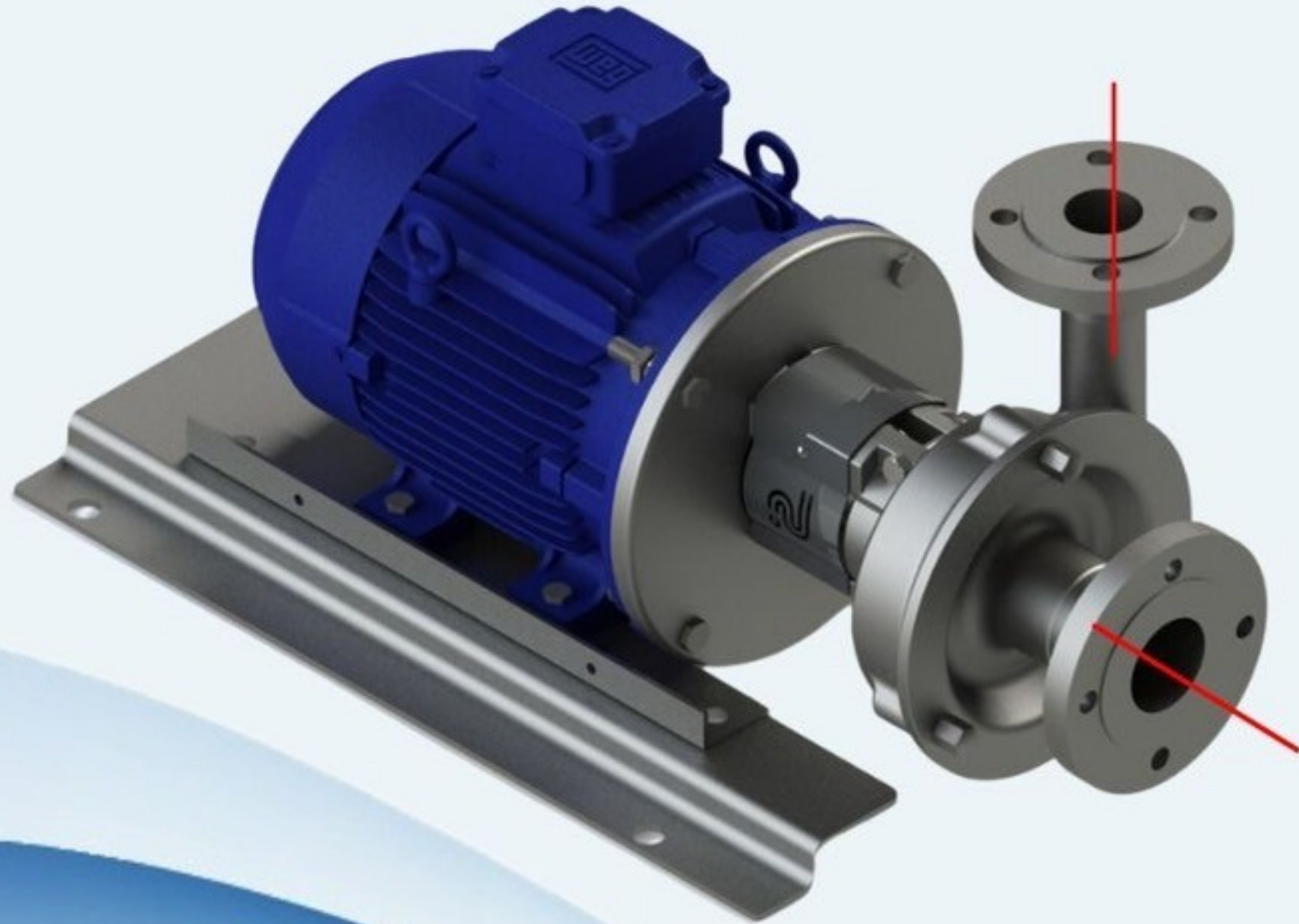
- Shear rates up to: 125,000 1/s
- Viscosities up to 100,000cp
- Flow rates up to: 100m³/h
- different teeth combinations

Different teeth combinations



How shear pump works?

The fluid is sheared and mixed at a linear speed of 38 m/s and a shear tolerance of 0.5mm.



Shear pump- SP series

model	power (kw)	Inlet/ outlet (DN)	Flow rate range (m3/h)
SP220	4 ~ 7.5	65/50	1 ~ 15
SP320	11 ~ 18.5	65/50	10 ~ 20
SP420	18.5 ~ 30	80/65	16 ~ 30
SP520	30 ~ 75	80/65	25 ~ 60

Powder Mixer



Function:

- dissolving
- dispersing
- homogenising
- emulsifying

working principle

